

# Cylinder pressure regulator HP 104

- single stage with balanced poppet in brass, nickel and matt chrome plated or stainless steel



Fittings optional

TECHNICAL DETAILS		APPLICATION AREA	DESCRIPTION
Body:	stainless steel 1.4404 electropolished or brass, nickel and chrome plated	For gases with high requirements such as gas safety, impermeability and purity of up to 6.0. Special and pure gas applications, the HP 104 is ideal for use in the following areas:	The pressure regulator HP 104 is a single stage cylinder pressure regulator with balanced poppet for improved performance (significantly improved outlet pressure accuracy similar to a dual-stage regulator) in stainless steel 1.4404 or brass nickel and chrome plated and has been developed especially for the gas supply from single cylinders.
Seat:	PCTFE	<ul style="list-style-type: none"> <li>· Pharmaceutical</li> <li>· Chemical</li> <li>· Petrochemical</li> <li>· Environment protection</li> <li>· Space and aviation technology</li> <li>· Automotive engineering</li> <li>· Food processing</li> <li>· Science and research</li> </ul>	<ul style="list-style-type: none"> <li>· The HP 104 regulator is fitted as a standard with gas specific connections to DIN 477 or any other common national standard and can be connected without the use of special tools.</li> <li>· The integrated inlet pressure compensation ensures a constant operating pressure during drainage of gas cylinder.</li> <li>· Ergonomic design, compact dimensions low weight, optimised handling and a minimised gas-wetted surface are the main attributes of HP 104 regulator.</li> <li>· An accurate pressure control and a strict gas blockage enables a distinct and measurable withdrawal of gas and an ideal gas supplience.</li> <li>· A specially designed blow-off valve prevents the incurrence of overpressure.</li> </ul>
Diaphragm:	1.4435 / hastelloy		
Leakage rate:	10 <sup>-8</sup> mbar l/s He against atmosphere		
Gas purity:	≤ 6.0		
Max. inlet pressure:	200 bar	Generally in all sectors where high requirements are attached to the withdrawal of gas.	
Outlet pressure ranges / or:	0,5 - 4; 1-10 bar fix adjusted		
Operating temp.:	-20°C to +70°C		
Gauges:	safety version to EN 837-1 KL1,6		
Dimensions (wxhxd):	106 x 97 x 112 mm		
Weight:	700 g		
Threads:	NPT 1/8" f		

## QUALITY STANDARD

The company Hornung is certified to **DIN EN ISO 9001** and **ISO 14001:2009**. All single parts are manufactured, assembled and tested by in-house production. The finished parts are therefore under all criteria of German quality control with 100% final inspection.

# HORNUNG

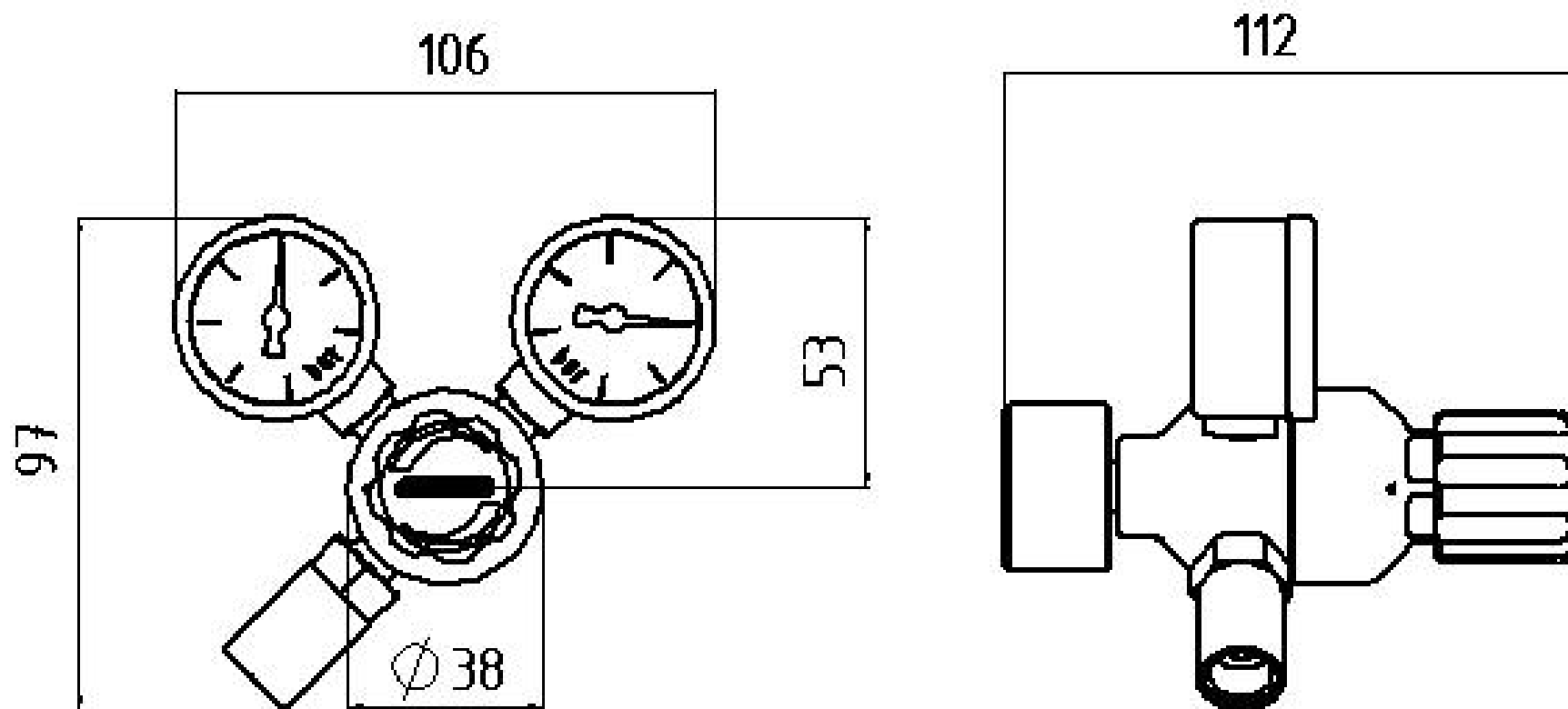
Präzision made in Germany

Rathenaustraße 55  
63263 Neu-Isenburg

Phone: +49 6102 7883-70  
Fax: +49 6102 7883-40

www.hornung.org  
info@hornung.org

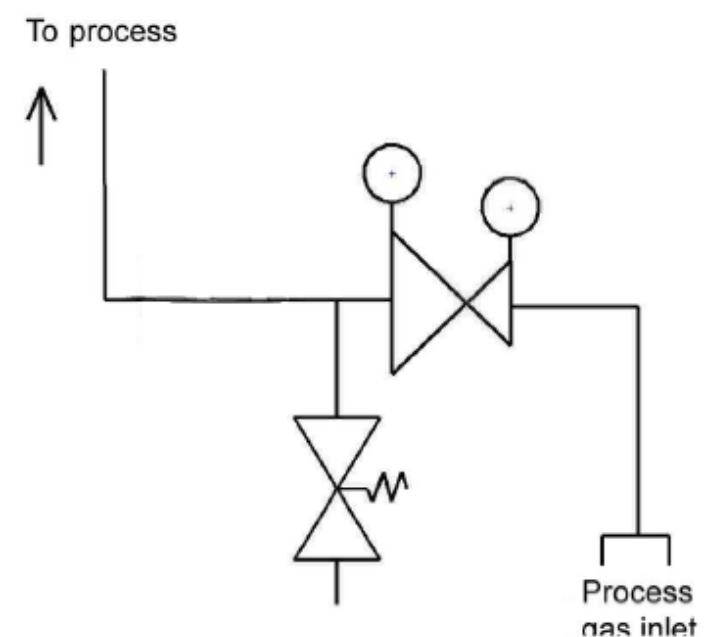
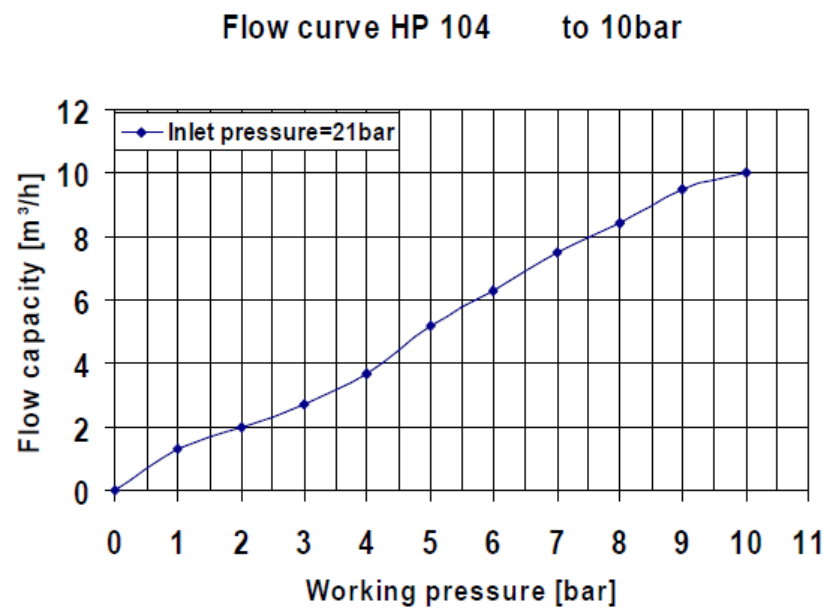
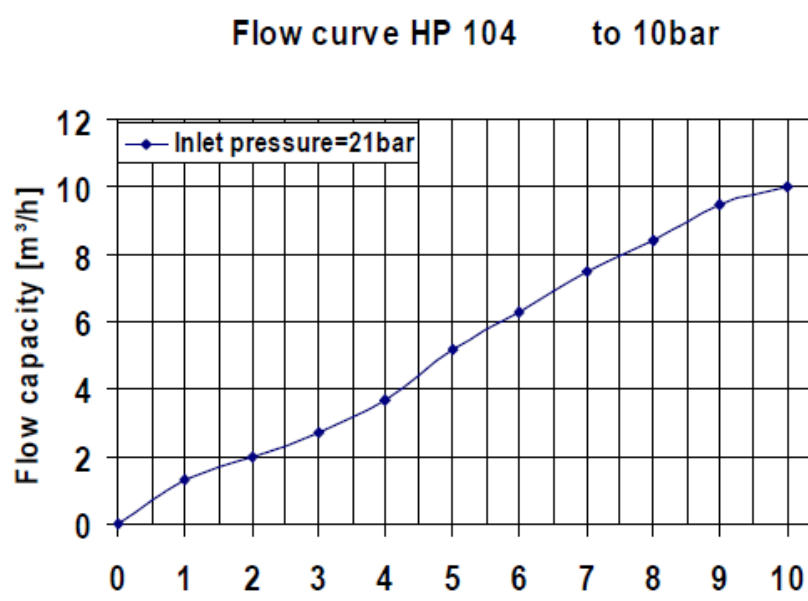
# HP 104



## FLOW CURVE HP 104 to 10 bar

## FLOW CURVE HP 104 to 4 bar

## FLOW DIAGRAM



## ORDER DETAILS

**Material:**  
 1 = stainless steel  
 2 = brass

**Pressure outlet ranges:**  
 1 = 0,5 - 4 bar  
 2 = 1 - 10 bar  
 4 = 0,5 - 4 bar (fix adjusted)  
 5 = 4 - 10 bar (fix adjusted)

**Options for the outlet:**  
 0 = 1/8" NPT - internal thread  
 1 = compression fitting 6 mm  
 2 = diaphragm shut-off valve  
 3 = diaphragm metering valve

Regulator type  
 70 HP 104

70- Type      1 Material      2 Outlet      2 Options      Gas type  
 Gas type

**Accessories:** See total catalogue segment

5. Diaphragm shut-off and metering valves  
 7. Gauges, screws, compression fittings, cylinder retainers and accessories